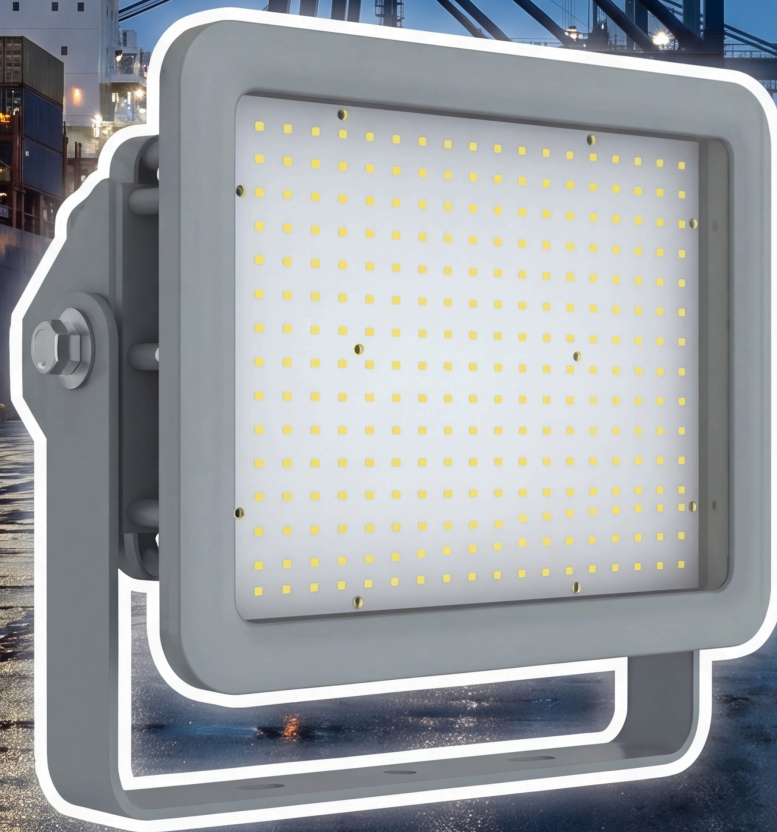


EX-A Series

Hazardous Location LED Flood Light

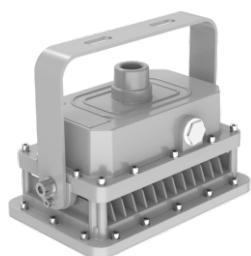




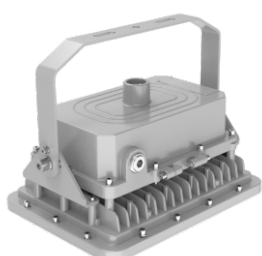
EX-A

Hazardous Location LED Luminaire

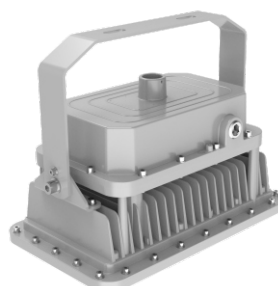
The A Series LED luminaire is the ideal choice for marine and hazardous applications. They can be used in locations where moisture, dirt, dust, corrosion and vibration may be present, or areas where wind, water, snow or high ambient can be expected.



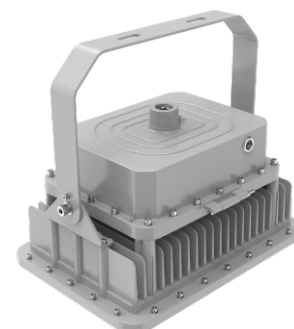
A2



A



A3



A4

Compliance

- UL844 Hazardous Locations
- Class I Division 2, Group A, B, C, D
- Class II Division 1, Group E, F, G
- Class II Division 2, Group F, G
- Class III
- UL1598 Wet Locations
- UL1598A Marine Outside Type
- ABS
- IP66
- IK08

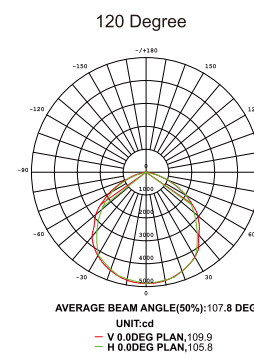
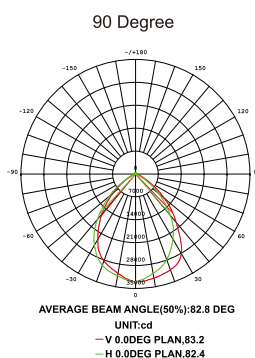
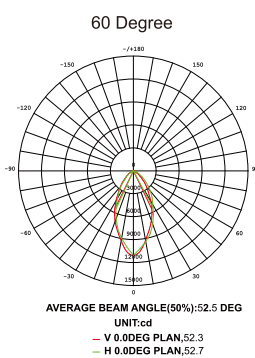
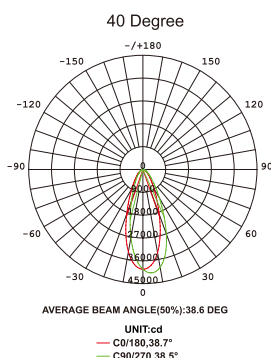
Features

- ✔ 0-10V dimming optional
- ✔ High luminous efficacy - Up to 140lumens per watt
- ✔ Compact and robust structure, excellent reliability
- ✔ Various installation ways for different applications
- ✔ Great impact resistance with IK08 certified
- ✔ Die-cast aluminum housing, great corrosion resistance and cooling performance

Application

- ✔ Oil and gas industry
- ✔ Metal treatment industry
- ✔ Chemical processing facility
- ✔ Power Plants
- ✔ Ocean, marine location
- ✔ Heavy industrials storage facility
- ✔ Wastewater Treatment Plants
- ✔ Food and Alcohol Industry

Photometric



Technical Parameter

• Electrical

Model	EX-xxxW A2	EX-xxxW A	EX-xxxW A3	EX-xxxW A4
Rated Power	20W/25W/30W/35W/40W/ 50W/60W/70W	20W/40W/60W/80W 100W/120W/150W	60W/80W/100W/120W/150W /180W/200W/240W	150W/180W/200W/250W/ 300W/350W/400W
Input Voltage	120-277VAC or 120-347VAC/200-480VAC			
Driver	Meanwell (for 120-277V/200-480V); Sosen (for 120-347V)			
Frequency	50/60Hz			
Power Factor	> 0.95			

• Optical

Model	EX-xxxW A2	EX-xxxW A	EX-xxxW A3	EX-xxxW A4
Lumen Output	2800lm-9800lm	2800lm-21000lm	8400lm-33600lm	21000lm-56000lm
Lumens Per Watt	140lm/W			
CCT	2000K - 7500K			
CRI	> 70			
Beam Angle	30°/40°/60°/90°/120°/T2/T3/T5			
Dimming	0-10V dimming optional			

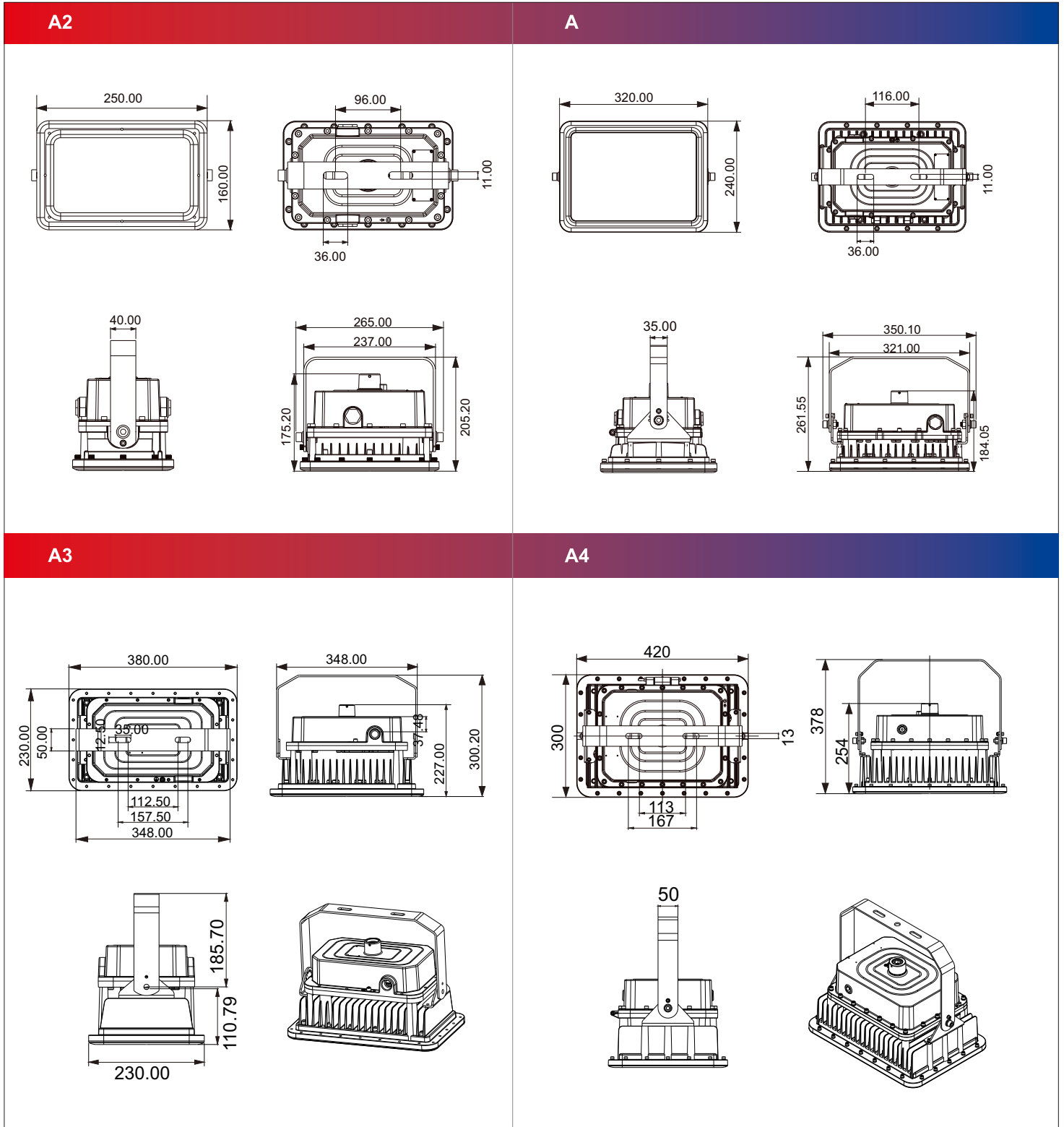
• Mechanical

Model	EX-xxxW A2	EX-xxxW A	EX-xxxW A3	EX-xxxW A4
Housing	Die-cast aluminum			
Lens	Tempered glass PC(for CIDII only)			
Hardware	Stainless Steel			
Protection	IP66/IK08 (glass cover)/IK10 (with wire guard)			
Mounting	Ceiling, Wall, Hook, Trunnion, Pole, Stanchion			
Cable Entries	Side: 3/4" NPT (standard); M20, M25, 1/2" NPT (optional) Top: 3/4" NPT (standard)			
Warranty	5 years			

• Environmental

Model	EX-xxxW A2	EX-xxxW A	EX-xxxW A3	EX-xxxW A4
Ambient Temperature	-40°C to +40°C (-40°F to +104°F) -40°C to +50°C (-40°F to +122°F) -40°C to +55°C (-40°F to +131°F) -40°C to +60°C (-40°F to +140°F) -40°C to +65°C (-40°F to +149°F)			

Dimensions: mm



Ordering Guide

EX - xxxW A2/A/A3/A4 D 30 D40 CFP B B A E 1 L 2

1 2 3 4 5 6 7 8 9 10 11 12 13 14

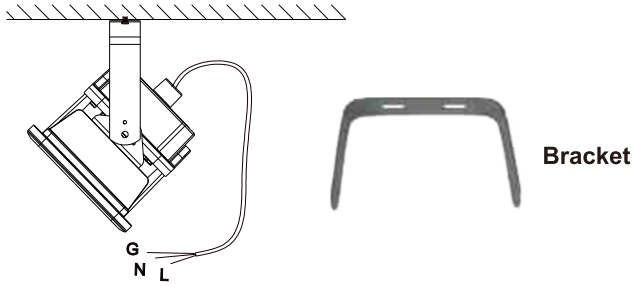
1. Basic Model Series	2. Rated Input Wattage	3. Lamp Enclosure Types	4. Dimming Function	5. CCT	6. Beam Angle
EX	A2: 20W/25W/30W/35W/40W/50W/60W/70W A: 20W/40W/60W/80W/100W/120W/150W A3: 60W/80W/100W/120W/150W/180W/200W/240W A4: 150W/180W/200W/250W/300W/350W/400W	A2 A A3 A4	D = Dimmable	20 = 2000K 30 = 3000K 40 = 4000K 50 = 5000K 57 = 5700K 60 = 6000K 65 = 6500K 75 = 7500K	D30 = 30 degrees D40 = 40 degrees D60 = 60 degrees D90 = 90 degrees D120 = 120 degrees T2 = 60 degrees T3 = 90 degrees T5 = 120 degrees
7. Diffuser Type	8. Driver Housing	9. Heat Sink Type	10. Diffuser Cover Types	11. Backup Power Source	
CFP = Clear Flat PC CFG = Clear Flat Glass FFG = Frosted Flat Glass FFP = Frosted Flat PC	A=Driver Housing A B=Driver Housing B C=Driver Housing C D=Driver Housing D	A=Heat Sink A B=Heat Sink B	A: Normal Cover B: Step Cover	"N" = Without Backup Power, "E" = With Backup Power.	
12. LED Types	13. Input Voltage	14. Driver series			
1=5050 2=2835	H=277-480V L=120-277V M=120-347V	1,2,3,4,5,6,7,8,9,10,11			

Packing Information

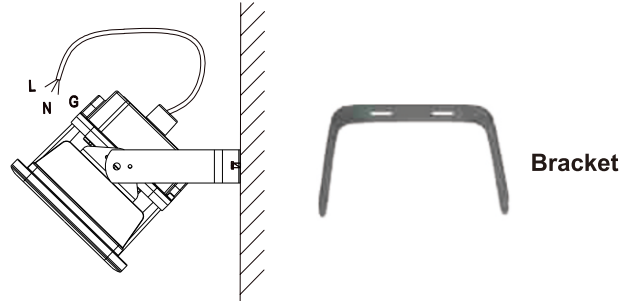
Model No.	Package Dimensions	Net Weight	Gross Weight	Quantity/Carton
A2	365x270x305 mm/14.37x10.63x12.01inch	4.15 kg/9.15 lb	5.30 kg/11.68 lb	1 pc
A	450x340x370mm/17.72x13.39x14.57inch	6.95 kg/15.32 lb	9.50 kg/20.94 lb	1 pc
A3	470x370x300mm/18.50x14.57x11.81inch	8.30 kg/18.30 lb	11.35 kg/25.02 lb	1 pc
A4	497x465x350mm/19.57x18.31x13.78inch	15.1 kg/33.29 lb	18.55 kg/40.90 lb	1 pc

Mounting Methods & Accessories

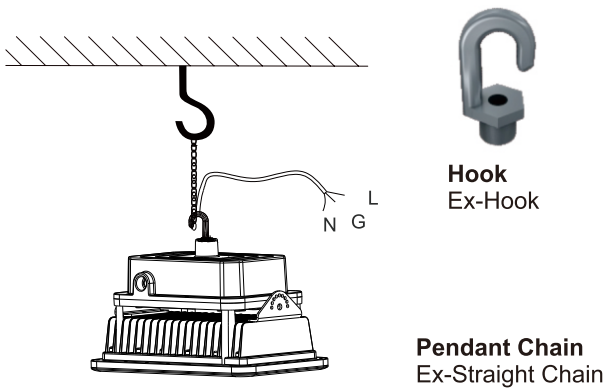
1. Ceiling Mounting



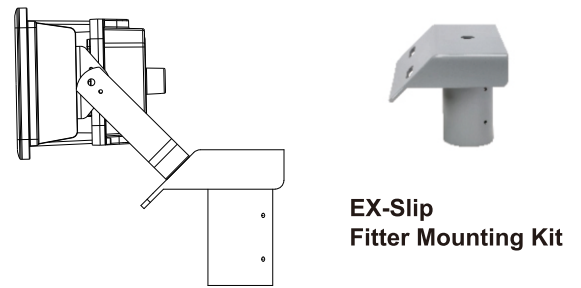
2. Wall Mounting



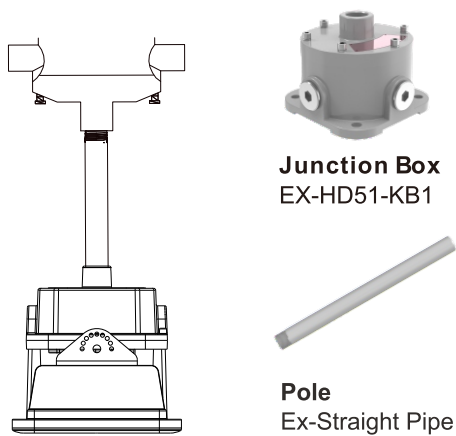
3. Hook Mounting



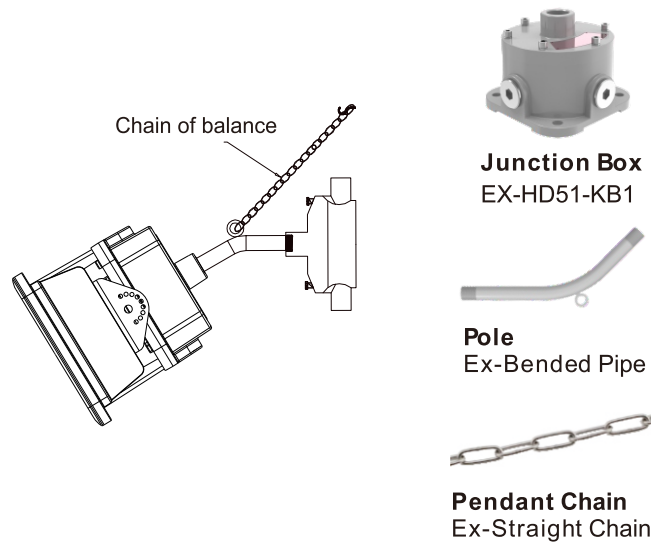
4. Trunnion Mounting (only for A and A2)



5. Pole Mounting (Vertical)

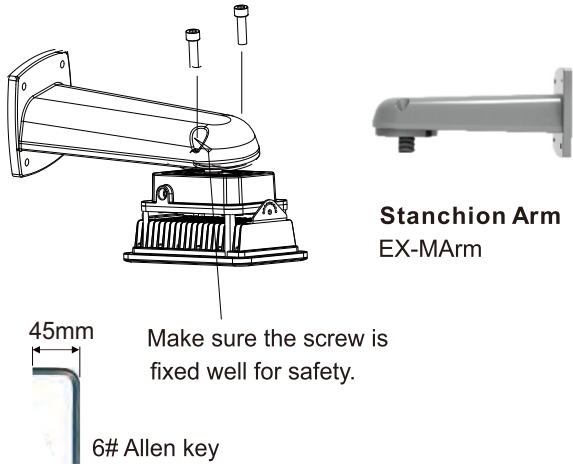


6. Pole Mounting (non - vertical)

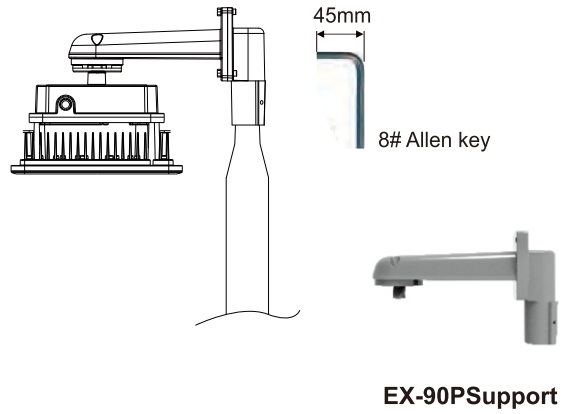


Mounting Methods & Accessories

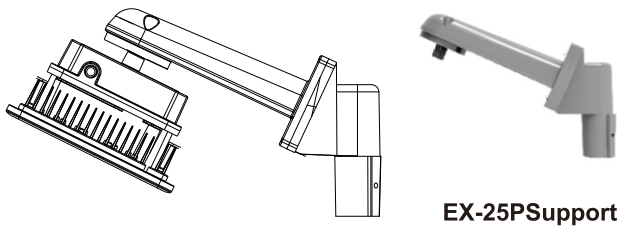
7. Stanchion Mounting on the Wall



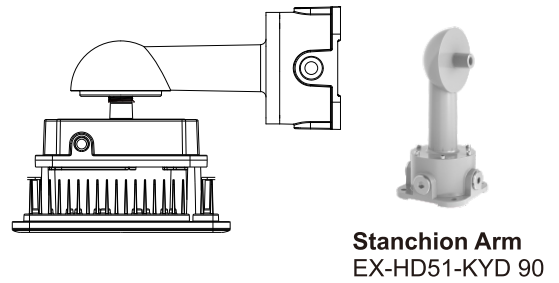
8. Stanchion Mounting on the Pole (90 Degree)



9. Stanchion Mounting on the Pole (25 Degree)



10. Wall Mounting with Junction Box (90 Degree)



11. Wall Mounting with Junction Box (25 Degree)

