



# D3 D4 Series

## Explosion Proof LED Luminaire



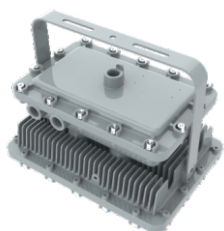


# D3 D4

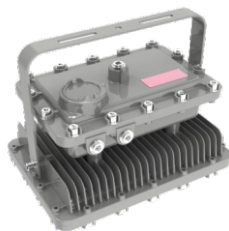
## Hazardous Location LED Luminaire

Energy efficient, rugged structure and made from corrosion-resistant, copper-free aluminum, NemaLED D3 D4 Series LED luminaire provides professional and reliable lighting solutions in harsh and hazardous environments. They can be used in locations where moisture, dirt, dust, corrosion and vibration may be present, or areas where wind, water, snow or high ambient can be expected.

### D3 Series

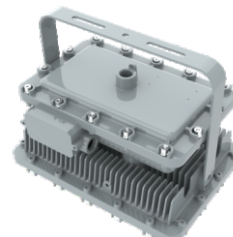


without Junction Box



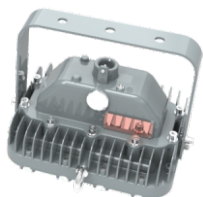
with Round Cover on the Top

### D3e (for IECEx/ATEX)

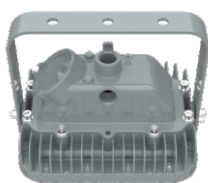


with Junction Box

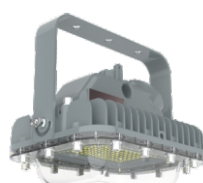
### D4 Series



without Round Cover



with Round Cover



with Clear Convex PC



with Frosted Convex PC

## Compliance

### IECEx/ATEX Mark :

#### For D3, D4:

II 2G Ex db IIB T4 T5...T6 Gb /  
II 2G Ex db IIB + H<sub>2</sub> T4 T5...T6 Gb  
II 2D Ex tb IIIC T130°C...T80°C Db

#### For D3e, D4 with Clear Convex PC/ Frosted Convex PC :

II 2G Ex db eb IIB T4 T5...T6 Gb  
II 2D Ex tb IIIC T130°C...T80°C Db

### UL 844 Hazardous Locations

Class I Division 1, Group B, C, D  
Class I Division 2, Group A, B, C, D  
Class II Division 1, Group E, F, G  
Class II Division 2, Group F, G  
Class III

Class I, Zone 1, Group IIB+H2

Class II, Zone 21, Group IIIC

### Marine Marking:

EN/IEC 60079-0, EN/IEC 60079-1,  
EN/IEC 60079-7, EN/IEC 60079-31

IP66 (wet location)

Impact Resistance (Shock): IK10

## Features

- ✓ Integrated junction box for driver
- ✓ LED board and drivers replaceable
- ✓ High-quality SMT LED and Meanwell driver
- ✓ Emergency battery backup available for D3
- ✓ Dimmable optional
- ✓ Marine rating powder coated finish for excellent corrosion resistance



## Applications

- ✓ Oil and gas industry
- ✓ Metal treatment industry
- ✓ Chemical processing facility
- ✓ Power Plants
- ✓ Ocean, marine location
- ✓ Heavy industrials storage facility
- ✓ Wastewater Treatment Plants
- ✓ Food and Alcohol Industry



## Technical Parameter

• Electrical & Optical

Model	Wattage*	Lumen Output	Emergency	Voltage	Efficiency	CRI	CCT	Beam Angle	Mounting
EX-80W D3YZDEFGHI	80W	11,200Lm	Emergency wattage: 8W	Normal: 100-277VAC/ 200-480VAC Emergency: 100-277VAC	140Lm/W	> 70	2000K 3000K 4000K 5000K 5700K 6500K 7500K	30°/40°/60°/90°/ 120°/T2/T3/T5	3/4" NPT
EX-100W D3YZDEFGHI	100W	14,000Lm							
EX-120W D3YZDEFGHI	120W	16,800Lm							
EX-150W D3YZDEFGHI	150W	21,000Lm	/	100-277VAC/ 200-480VAC					
EX-180W D3YZDEFGHI	180W	25,200Lm							
EX-200W D3YZDEFGHI	200W	28,000Lm							
EX-220W D3YZDEFGHI	220W	30,800Lm							
EX-240W D3YZDEFGHI	240W	33,600Lm							
EX-20W D4YZDEFGH	20W	2,800Lm							
EX-25W D4YZDEFGH	25W	3,500Lm							
EX-30W D4YZDEFGH	30W	4,200Lm							
EX-35W D4YZDEFGH	35W	4,900Lm							
EX-40W D4YZDEFGH	40W	5,600Lm							
EX-50W D4YZDEFGH	50W	7,000Lm							
EX-60W D4YZDEFGH	60W	8,400Lm							
EX-70W D4YZDEFGH	70W	9,800Lm							
EX-80W D4YZDEFGH	80W	11,200Lm							

\*Note: For emergency mode of D3 series, the maximum wattage is 150W.

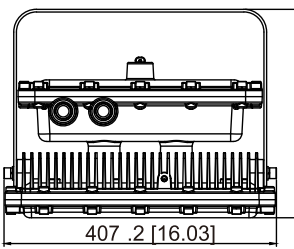
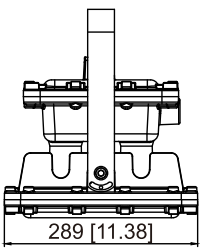
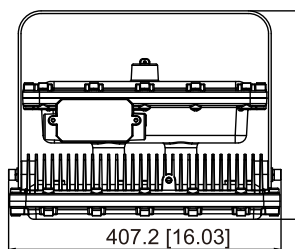
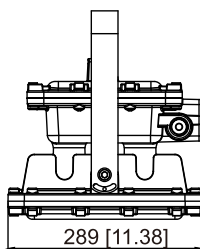
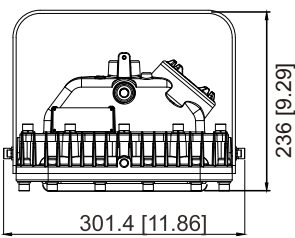
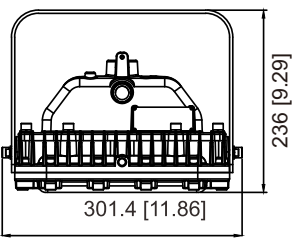
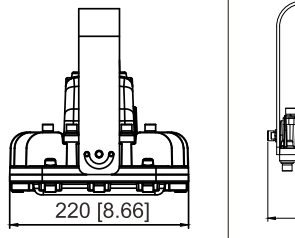
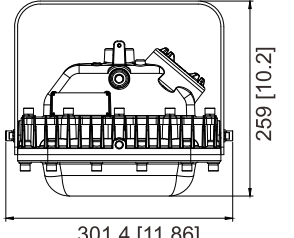
• Mechanical

Model	D3/D3e/D4
Housing	Copper-free aluminum
Lens	Clear Flat Glass, Frosted Flat Glass, Clear Convex PC, Frosted Convex PC
Mounting Bracket	Stainless steel
Hardware	Stainless steel
Mounting Methods	Wall, Ceiling, Pole, Trunnion, Wall with junction box

• Environmental

Model	D3/D3e/D4
Ambient Temperature - Normal Mode	-40°C to +40°C for T6, -40°C to +55°C for T5, -40°C to +65°C for T4

## Dimensions: mm [inch]

D3 Series			D3e		
		319.5 [12.58]			319.5 [12.58]
407.2 [16.03]	289 [11.38]		407.2 [16.03]	289 [11.38]	
D4 Series (Flat Glass)			D4 Series (Convex PC)		
		236 [9.29]			259 [10.2]
301.4 [11.86]	301.4 [11.86]		220 [8.66]	301.4 [11.86]	220 [8.66]

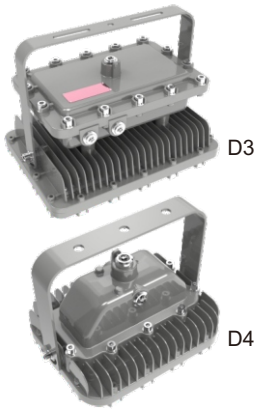
## Ordering Guide

EX - xxxW XX Y Z D E F G H I  
 1 2 3 4 5 6 7 8 9 10 11

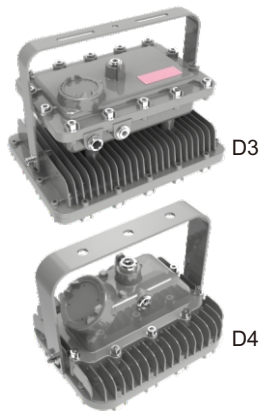
1. Product Category	2. Rated Wattage	3. Lamp Enclosure Heatsink	4. Dimmable Option	5. CCT	6. Beam Angle
EX = Explosion Proof Light	D3 series: 80/100/120/150/180/200/220/240W D4 series: 20/25/30/35/40/50/60/70/80W	D3 D3e D4	D = dimmable Blank = non-dimmable	20 = 2000K, 30 = 3000K 40 = 4000K, 50 = 5000K 57 = 5700K, 65 = 6500K 75 = 7500K	30 = 30 degrees 40 = 40 degrees 60 = 60 degrees 90 = 90 degrees 120 = 120 degrees T2, T3, T5
7. Diffuser Type	8. Power Cover *	9. Backup Power Source (Emergency LED Driver)	10. Light Cover **	11. Light Housing ***	
Blank = Flat Glass CCP = Clear Convex PC (for D4) FFG = Frosted Flat Glass FFP = Frosted Convex PC (for D4)	A = Power Cover A (for D3, D4) B = Power Cover B (for D3, D4)	Blank = No Backup Power -EM = Backup Power	B = Light Cover B (for D3, D4)	A = Heatsink A (for D3 only) B = Heatsink B (for D3 only)	

### 8. Power Cover \*

Power Cover A (for D3, D4)

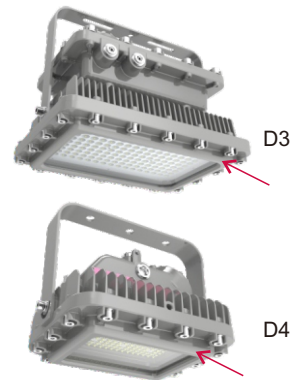


Power Cover B (for D3, D4)



### 10. Light Cover \*\*

B = Light Cover B (for D3, D4)

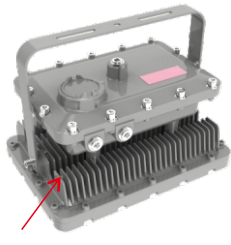


### 11. Light Housing \*\*

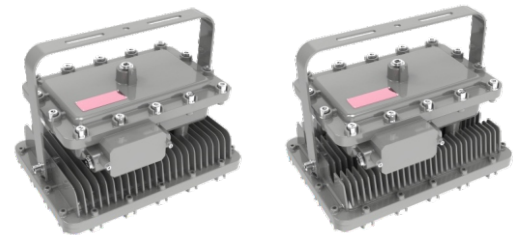
Heatsink A (for D3 only)



Heatsink B (for D3 only)



### D3e Series:

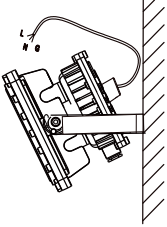

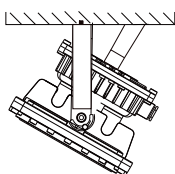

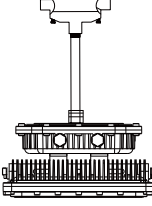


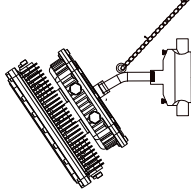



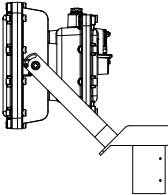

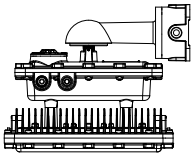

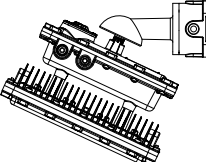



Note: for D3e series, only Power Cover A is available.

## Packing Information

Model No.	Package Dimensions	NetWeight	GrossWeight
EX-xxxW D3	L594xW494xH479mm[L23.39xW19.45xH18.86]	23kg/50.71lbs	27kg/59.52lbs
EX-xxxW D4	L395xW335xH360mm[L15.55xW13.19xH14.17]	9kg/19.84lbs	10kg/22.05lbs

## Mounting Methods & Accessories

1. Wall Mount	2. Ceiling Mount	3. Pole Mount (Vertical)	
  <p>U-Bracket</p>	  <p>U-Bracket</p>		 <p>Junction Box EX-HD51-KB1</p>  <p>Pole Ex-Straight Pipe</p>
4. Pole Mount (Non-Vertical)		5. Trunnion Mount	
  <p>Junction Box EX-HD51-KB1</p>  <p>Pole Ex-Bended Pipe</p>  <p>Pendant Chain Ex-Straight Chain</p>		  <p>EX-Slip Fitter Mounting Kit</p>	
6. Wall Mount with Junction Box (90 Degree)		7. Wall Mount with Junction Box (25 Degree)	
  <p>Stanchion Arm EX-HD51-KYD 90</p>		  <p>Stanchion Arm EX-HD51-KYD 25</p>	